



MONOCRYSTALLINE SILICON | PHOTOVOLTAIC MODULES

# 540Wp



**12\*** YEARS PRODUCT WARRANTY

91.2% Power Output Up To 12 Years



**30\*** YEARS PERFORMANCE WARRANTY

80.7% Power Output Up To 30 Years

**MADE IN**  
**INDIA**

- Australian Brand Manufactured in accordance with APS's high standards of design and Quality Control
- Positive tolerance that delivers higher output reliability for all our modules
- High module Output for better conversion efficiency
- EL Tested 100% dual EL inspection
- Excellent module & Solar cell efficiency
- Higher PV Energy yields even under Low light and cloudy conditions
- Premium quality raw material and advanced manufacturing processes guarantees the reliability of our modules
- PID resistant and increased module robustness to minimize micro-cracks



Web : [www.australianpremiumsolar.co.in](http://www.australianpremiumsolar.co.in) | Email : [sales@australianpremiumsolar.co.in](mailto:sales@australianpremiumsolar.co.in)

## ELECTRICAL TYPICAL VALUE

<b>Model</b>	<b>APSAM-540/144</b>
Maximum Power (Pmax)	540W
Maximum Power Voltage (Vmp)	41.82 V
Maximum Power Current (Imp)	12.93 A
Open Circuit Voltage (Voc)	48.91 V
Short Circuit Current (Isc)	13.83 A
Module Efficiency	20.93 %

### MECHANICAL CHARACTERISTICS

Dimensions	2278 X 1133 X 40 MM
Weight	28.25 Kg

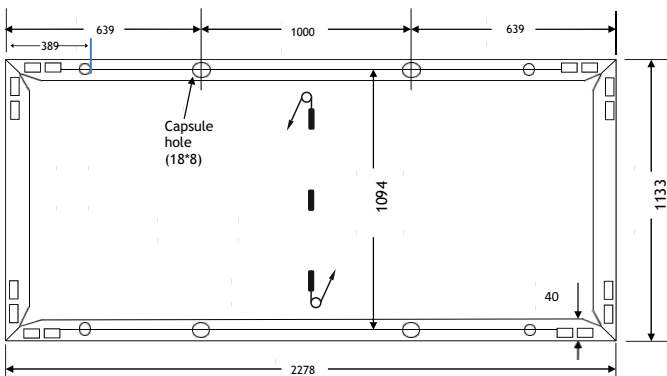
\*NOTE : STC : Irradiance 1000W/m<sup>2</sup> Module Temperature 25°C AM=1.5

### TEMPERATURE CHARACTERISTICS

NOCT (Nominal Operation Temperature )	: 47 ± 2°C
Temperature Coefficient of Voc (β)	: -0.35%/°C
Temperature Coefficient of Isc (α)	: 0.05%/°C
Temperature Coefficient of Pmax (γ)	: -0.45%/°C

### ABSOLUTE MAXIMUM RATING

Parameter	Values
Operating Temperature	From -40° to 85°C
Maximum Series Fuse Rating	15 A
Application Class	IEC & BIS APPROEVD
Maximum System Voltage	1500 Vdc



### TEMPERATURE CHARACTERISTICS

#### Note :

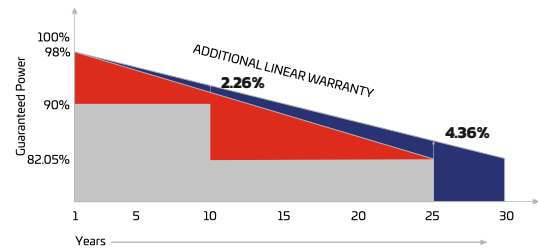
The Specifications in this datasheet are subject subject to change without any notice.  
 The Electrical data given here is for reference purpose only.  
 Please contact our sales team for any customized solutions.  
 Please read safety and installation instructions before using the product.  
 Subject to Ahmedabad Jurisdiction.

#### \*Warranty :

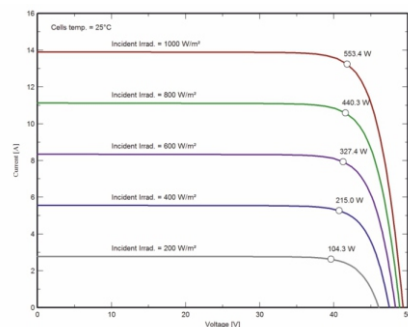
Please read APS India warranty documents thoroughly on <http://australianpremiumsolar.co.in/warranty/>

### MODULE CHARACTERISTICS

Solar Cells	Mono
No.of Cells	144 Cells (24*6)(Halfcut Cell)
Glass	Low Iron, tempered glass
Frame	Anodized aluminum alloy
Junction Box	IP68
Cable & Plug Connectors	400MM X 4.0MM Mc4 compatible / IP 67
Maximum Snow Load	2400 Pascal
Maximum Wind Load	5400 Pascal
Hailstone Impact Test	80 km/h for 25mm ice ball



( Design In Australia | Manufactured in India )



### I-V-CURVE

**Toll Free : 1800-313-5052**

**Corporate Office :** 301, 3rd floor, Satyamev Eminence, Nr. Shukan Mall, Science City Road, Ahmedabad, Gujarat - 380060.

**Factory :** At & Post - Tajpur, N.H.-08, Ta - Prantij, Dist - Sabarkantha, Gujarat-383205 (India).



MONOCRYSTALLINE SILICON | BIFACIAL PV MODULES

# 520Wp - 545Wp



## YEARS PRODUCT WARRANTY

91.2% Power Output Up To 12 Years



## YEARS PERFORMANCE WARRANTY

80.7% Power Output Up To 30 Years

**MADE IN**  
**INDIA**

- Australian Brand Manufactured in accordance with APS's high standards of design and Quality Control
- Positive tolerance that delivers higher output reliability for all our modules
- High module Output for better conversion efficiency
- EL Tested 100% dual EL inspection
- Excellent module & Solar cell efficiency
- Higher PV Energy yields even under Low light and cloudy conditions
- Premium quality raw material and advanced manufacturing processes guarantees the reliability of our modules
- PID resistant and increased module robustness to minimize micro-cracks



## ELECTRICAL TYPICAL VALUE

Model	APSAM-520/144	APSAM-525/144	APSAM-530/144	APSAM-535/144	APSAM-540/144	APSAM-545/144
Maximum Power (Pmax)	520W	525W	530W	535W	540W	545W
Maximum Power Voltage (Vmp)	41.19 V	41.34 V	41.49 V	41.64 V	41.80 V	41.94 V
Maximum Power Current (Imp)	12.65 A	12.73 A	12.79 A	12.86 A	12.93 A	13.01 A
Open Circuit Voltage (Voc)	48.18 V	48.36 V	48.57 V	48.72 V	48.92 V	49.07 V
Short Circuit Current (Isc)	13.54 A	13.62 A	13.70 A	13.74 A	13.84 A	13.92 A
Module Efficiency	20.22 %	20.41 %	20.61 %	20.80 %	21.00 %	21.19 %

### MECHANICAL CHARACTERISTICS

Dimensions	2277 X 1133 X 35 MM*
Weight	28.25 Kg*

\*NOTE : STC : Irradiance 1000W/m2 Module Temperature 25°C AM=1.5

### TEMPERATURE CHARACTERISTICS

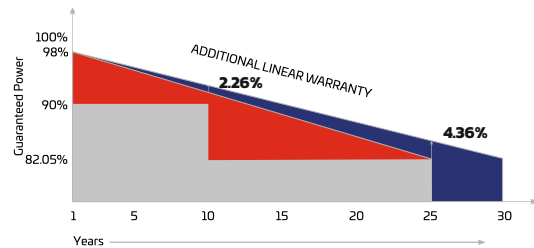
NOCT (Nominal Operation Temperature )	: 44 ± 2°C
Temperature Coefficient of Voc (β)	: -0.29%/°C
Temperature Coefficient of Isc (α)	: 0.05%/°C
Temperature Coefficient of Pmax (γ)	: -0.35%/°C

### ABSOLUTE MAXIMUM RATING

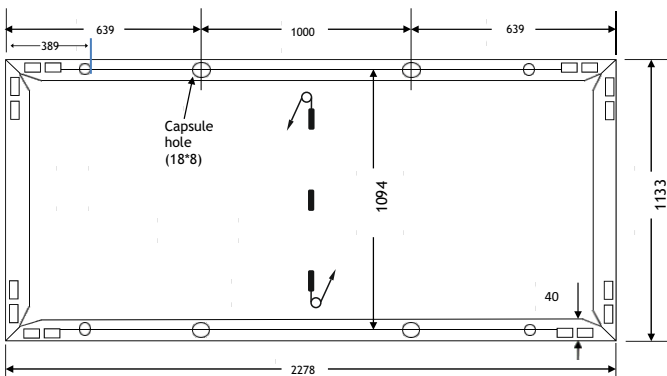
Parameter	Values
Operating Temperature	From -40° to 85°C
Maximum Series Fuse Rating	15 A
IEC Application Class	Under process
Maximum System Voltage	1500v DC

### MODULE CHARACTERISTICS

Solar Cells	Half-cut mono crystallin P-type PERC Bifacial solar cells
No.of Cells	144 Cells
Glass	Low Iron, tempered glass, 2.8mm
Frame	Anodized aluminum alloy
Junction Box	IP65/67 rated
Cable & Plug Connectors	1.0 X 4.0MM Mc4 compatible / IP 67
Maximum Snow Load	2400 Pascal
Maximum Wind Load	5400 Pascal
Hailstone Impact Test	80 km/h for 25mm ice ball

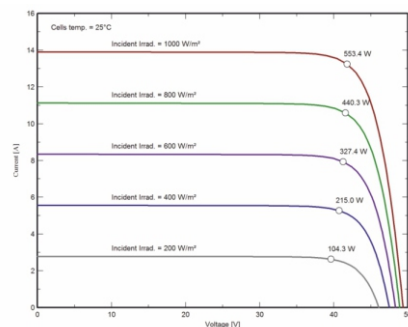


( Design In Australia | Manufactured in India )



ALL DIMENSIONS ARE IN MM +/- 1mm

### TEMPERATURE CHARACTERISTICS



### I-V-CURVE

#### Note :

The Specifications in this datasheet are subject subject to change without any notice.  
 The Electrical data given here is for reference purpose only.  
 Please contact our sales team for any customized solutions.  
 Please read safety and installation instructions before using the product.  
 Subject to Ahmedabad Jurisdiction.

#### \*Warranty :

Please read APS India warranty documents thoroughly on <http://australianpremiumsolar.co.in/warranty/>

Toll Free : 1800-313-5052

**Corporate Office :** 301, 3rd floor, Satyamev Eminence, Nr. Shukan Mall, Science City Road, Ahmedabad, Gujarat - 380060.

**Factory :** At & Post - Tajpur, N.H.-08, Ta - Prantij, Dist - Sabarkantha, Gujarat-383205 (India).

\* The images shown are for illustration purposes only and may not be an exact representation of the product.